

# POP OUTDOOR FURNITURE

The Backyard Original Outdoor Furniture range designed by Robin Delaere is fully modular allowing it to be arranged into different configurations to suit a variety of spaces. It is made of powder coated aluminium which is designed for the outdoor environment, offering excellent weather resistance. It is also strong and durable and resistant to both chlorine and salt water. It is non-toxic and environmentally friendly. The acrylic fabric used for the outdoor squabs is created through a unique process that adds coloured pigments during fibre production. The colour is locked into the fabric and lasts as long as the fabric does even with lengthy outdoor exposure. Consequently, the colours will resist fading from UV rays, chlorine, salt water and washing. All the range has been subject to quality inspections. Pop Outdoor Furniture comes with a 2 year warranty.

## CARE INSTRUCTIONS

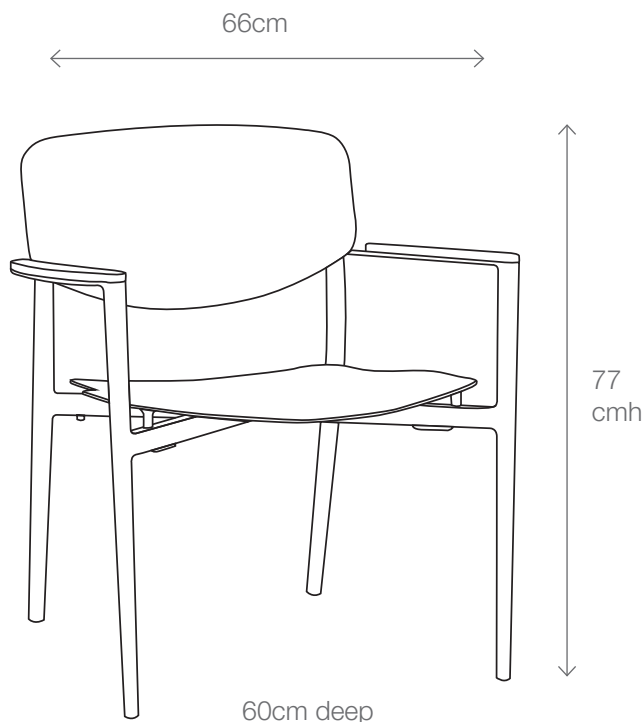
Frame: Wash with a mild natural soap (such as a liquid dish detergent) and fresh water, using a soft bristle brush. Rinse and dry with a cloth, to avoid water stains from settling on the frame. Fabric: Regular brushing and rinsing in clean water required. The fabric can also be removed and machine washed at 30 degrees C, and diluted bleach can also be used on stubborn stains at no risk to colours.

## COMPOSITION

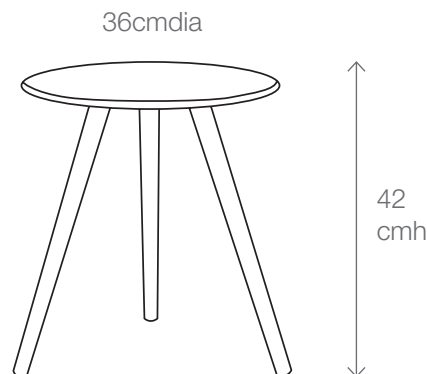
Frame: Aluminium Tubes. Caps: PP (polypropylene), injection moulded. Screws: Stainless Steel.



**POP LOW SEAT** BYL0004



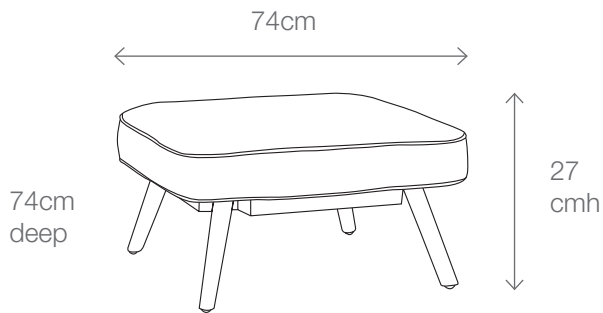
**POP ROUND SIDE TABLE**  
BYL0003



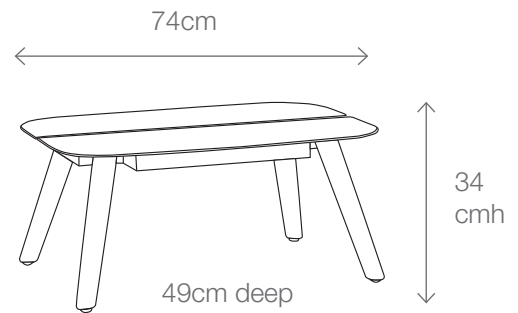


Off White

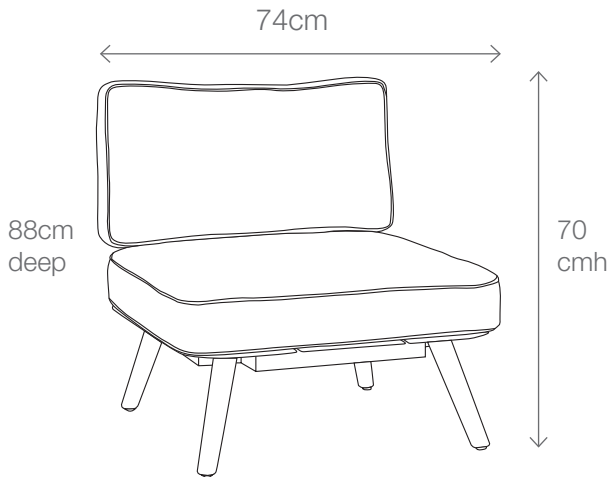
**POP OTTOMAN** BYL0001O



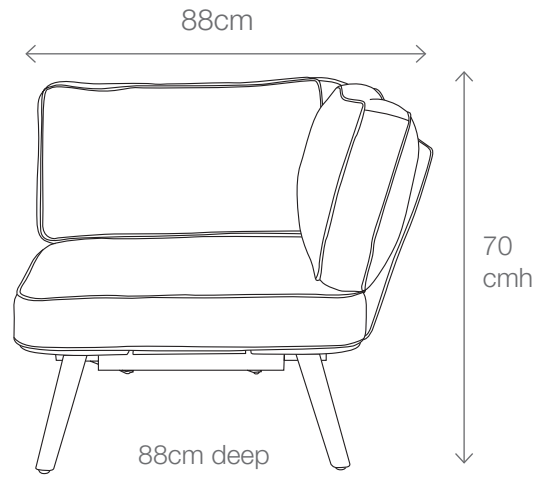
**POP SIDE TABLE** BYL0002



**POP LOUNGE ONE SEAT**  
BYL0001S



**POP LOUNGE CORNER SEAT**  
BYL0001C



**POP LOUNGE TWO SEATER**  
BYL0001M

